

**GUAM MEMORIAL HOSPITAL AUTHORITY
850 GOV. CARLOS G. CAMACHO ROAD
TAMUNING, GUAM 96913
PHONE: 671-647-2165
EMAIL: materials.mgmt@gmha.org**

TRANSMITTAL SHEET

TO: Prospective Bidder
FROM: Hospital Materials Management Administrator
DATE: August 12, 2024
SUBJECT: **GMHA IFB 007-2024 Removal and Replacement of Emergency
Department AHU and Installation of DOAS
Amendment No.10**

PAGES: 3 including cover sheet

NOTES:

An acknowledgement via a return email would be appreciated as soon as possible.

DATE / VENDOR ACKNOWLEDGEMENT

FACSIMILE CONFIDENTIALITY NOTICE

These documents accompanying this transmission contain confidential information that is legally privileged. This information is intended only for the use of the individual or entity named above. The authorized recipient of this information is prohibited from disclosing this information to any other party unless required to do so by law or regulation and is required to destroy the information after its stated need has been fulfilled.

If you are not the intended recipient, you are hereby notified that any disclosure, copying, distribution, or action taken in reliance on the contents of these documents is strictly prohibited. If you have received this information in error, please notify the sender immediately and arrange for the return or destruction of these documents.



GUAM MEMORIAL HOSPITAL AUTHORITY

ATURIDÁT ESPETÁT MIMURIÁT GUÅHÑ

850 Governor Carlos Camacho Road, Tamuning, Guam 96913
Operator: (671) 647-2330 or 2552 | Fax: (671) 649-5508



AMENDMENT #10

FOR

IFB 007-2024

Removal and Replacement of Emergency Department AHU and Installation of DOAS

This amendment is issued in response to clarifications received from Dylan Mechanical that required responses from GMHA Facilities Maintenance for RFI Question # 1:

1. **Question:** Where is the power panel location for the power to DOAS2?

Response: Please see attached drawing for reference.

If you have any questions, please feel free to address your letter to Lillian Perez-Posadas MN, RN, and email it to Materials Management at materials.mgmt@gmha.org.

Sincerely;

DOLORES PANGELINAN

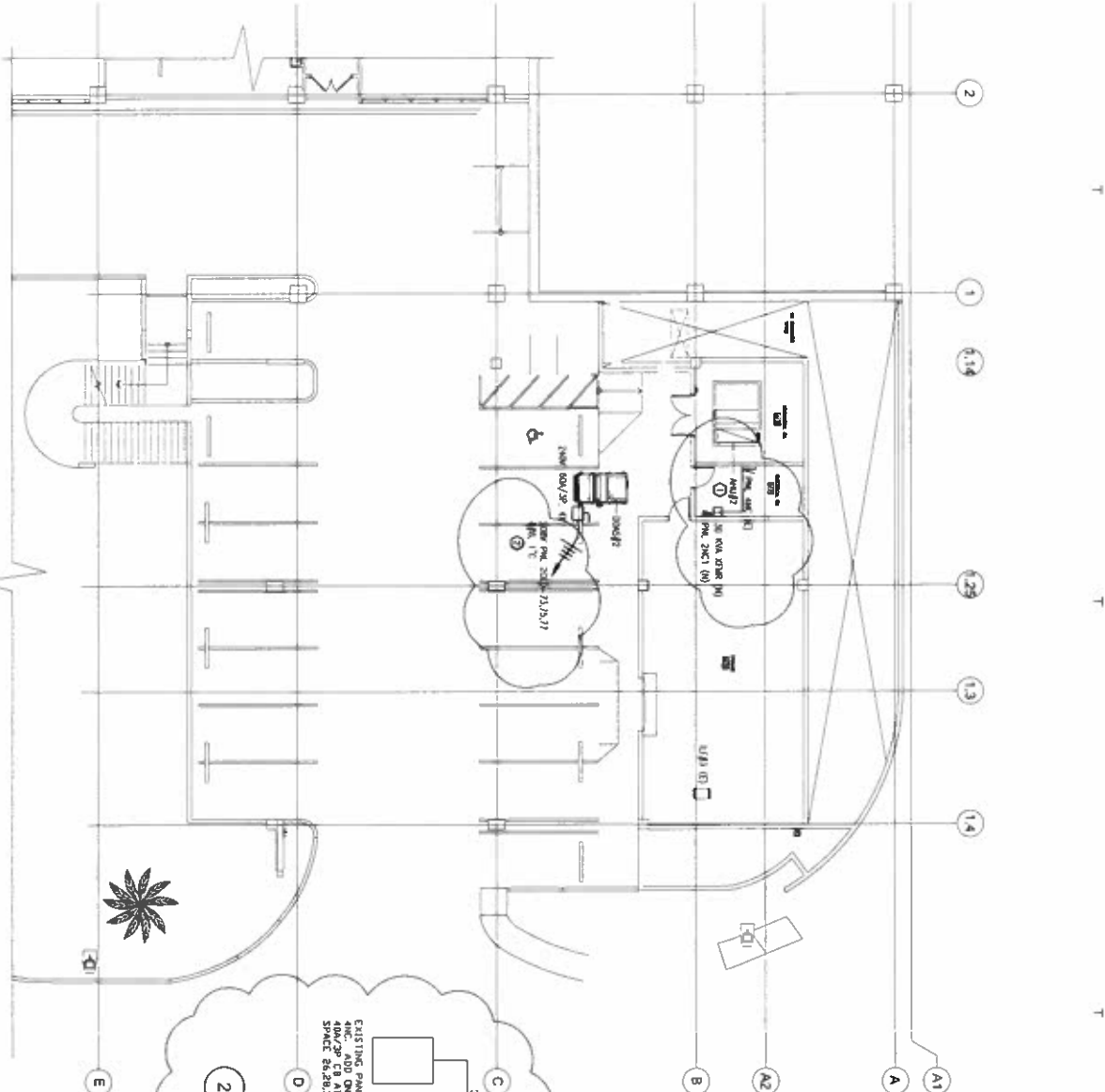
Hospital Materials Management Administrator

ACKNOWLEDGMENT:

PRINT NAME

SIGNATURE

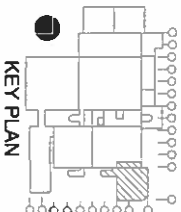
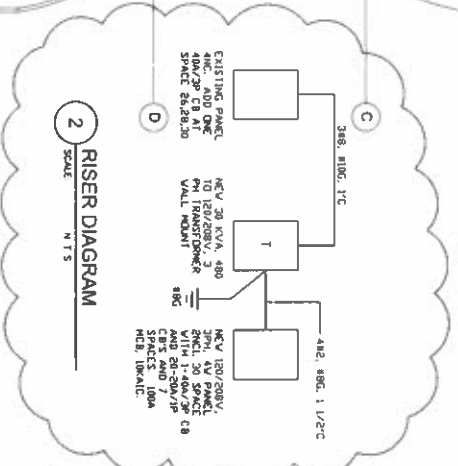
DATE



KEYED NOTES:

① RECONNECT AHU#2 TO EXISTING POWER SOURCE

② PROVIDE NEW 400V/2P CB ON PANEL 28C1 FOR DOAS#2



0 7 2 18
SCALE: 1/8" = 1'-0"

REVISIONS	
No.	Description

	WA WASHINGTON ARCHITECTS 1000 1st Avenue, Suite 1000 Seattle, WA 98101 TEL: 206.461.1111 FAX: 206.461.1112
	PROJECT: ICU CCU & ED RENOVATION GULF MEDICAL CENTER LABORING, CORAL
TITLE: GROUND FLOOR AHU#2 RM ELECTRICAL PLAN	DESIGNED BY: [Redacted]
DRAWN BY: [Redacted]	CHECKED BY: [Redacted]
SUPERVISOR: [Redacted]	SCALE: AS SHOWN
DATE: JULY 02, 2021	DRAWING NO.: E2.4
SHEET NO.: 25	TOTAL SHEETS: 51